

Tele (club) 9702 1814 Club email bdwwcsec@outlook.com

Postal address:

The Berwick District Woodworkers Inc
PO Box 921, High Street, Berwick, Victoria, 3806

Location:

The Old Cheese Factory, 34 Homestead Road Berwick, 3806
Inc. No A0012122U

Welcome to the newsletter for July 2017

DATES TO REMEMBER: **ANNUAL GENERAL MEETING** 3rd August, 7.30 pm in clubroom
Committee Meeting 31st July 1.00pm in clubroom. **Monthly Meeting** follows **AGM** in clubroom on 3rd August.

CHANGE TO MEETING TIME

As mentioned in the June issue of the news letter, a survey of members has been carried out to decide if moving the monthly meeting to an **afternoon** would assist members to attend. Committee decided to move the **September** and **October** monthly meetings to the **first Wednesday of the month at 1.00 pm** as a trial. We would then go back to evening meetings during Daylight Saving time.

Dates for the meetings will be:

- a) AGM and Monthly Meeting on Thursday 3rd August at 7.30 pm.
- b) Monthly Meeting on Wednesday 6th September at 1.00 pm.
- c) Monthly Meeting on Wednesday 4th October at 1.00 pm.
- d) The Committee will then review the changes.

FUNCTIONS: Club luncheon. August 10th, 12.00 at Club Officer in Officer.

CLUB NEWS: JULY MONTHLY MEETING.

Unfortunately, club president **Len Preece** was unable to attend our meeting this month due to his hospitalisation for some much needed surgery. Word is that Len is back home and feeling OK. Keep up the good work Len. We look forward to seeing you back on deck as soon as you feel well enough.

Len's absence meant that, as Vice President, yours truly took the chair and with the help of Secretary, **Richard Gething**, we had a good evening.

As we had no speaker, **Richard Gething** and **Rick Hoare** had sorted out some of the instructional videos, that can be found on the internet; one on safe operation of the table saw; another on turning a rather different kind of lidded box and also a box with a hidden opening.

With so many first class turners in our club, these videos may slip into the category of '*coals to Newcastle*', but it's always interesting to see what other turners do, and if there is anything to be learned it may be simply, to not bother trying that sort of box.

During the meeting, **Pat Mahoney** offered his thanks to club member **Jim Graham** who has donated a fair quantity of wood to the club over the past three years. Pat says the small rocking horse is made from some of Jim's wood. Many thanks for your generosity Jim; the club gets through a great deal of wood in the production of the toys that we give away at Christmas and we greatly appreciate your gift.

DOOR PRIZE: This was won by Rick Hoare.

CLUB INFORMATION:

MEETINGS:

COMMITTEE

31st July

GENERAL

3rd August

SPEAKERS ETC

No Guest Speaker to allow for AGM.

FARMERS

MARKET

22nd July (Rotary)

12th August (BDWC)

Committee of Management:

Contact Details

Name	Phone
President Len Preece	59405564
Vice President Elsie Hoare	9707 4608
Secretary Richard Gething	9704 5417
email: bdwvcsec@outlook.com	
Treasurer Peter Angwin	5941 1272

Committee

Rick Hoare 9707 4608
 John Damon 0400 888 912
 Martin Van Diemen 9707 5305
 Brian Crowe 9702 2041
 Ken Humphries 9702 0854
 Ken Whitefield 9704 9701

Monthly meeting speaker – *Ken Humphries*

Functions Co-ordinator - *Rick Hoare*

Newsletter Editor – *Elsie Hoare*

Public relations – *Len Preece*

OCF users group – *Len Preece*

Toy Coordinator – *Ken D. Barnes.*

Machinery maintenance Supervisor – *Jack Croucher & Brian Crowe*

Health and Safety Coordinator – *Whole committee*

Member’s welfare coordinator – *Ken Whitefield*

Kits for kids coordinator – *Len Preece & Brian Crowe*

Raffle Coordinator – *Len Preece*

Farmers Market Coordinator – *Martin Van Diemen*

Special interest group coordinators – *Depends on group*

Librarian – *Keith Towe*

Screws – *MartinVan Diemen*

Paint – *George Young*

Timber coordinator – *Martin Van Diemen*

Web/Web master – *Jack Croucher*

Mens' Shed coordinator - *Gary King*

Great Art Show - *John McMahon (with sub-committee)*

All material for the Club’s monthly publication is to be submitted by e-mail ricels@bigpond.com by hand, or by phone to the editor by the 15th of each month: Letters to the editor must be sent to the committee.

PLEASE NOTE: Those members wishing to use the workshop on Saturdays other than Farmers’ Market Saturdays must make private arrangements with a key-holder. For safety reasons, there must always be two members present in the workshop whenever it is being used.

Workshops & Meetings:

Weekly	Hours	Activity	Leader
Monday Morning	9.00 am – 2.30 pm	Toys -	Eric Guthrie
Tuesday Morning	9.00 am – 2.30 pm	Toys -	John Damon
Wednesday Morning	9.00 am - 1.00 pm	General -	Bob McArthur
Wednesday Evening	5.00 pm - 9.00 pm	General -	Martin Van Diemen
Thursday Morning	9.00 am – 1.00 pm	Fine W/work -	Maurice Deeker
Friday Morning	9.00 am - 1.00 pm	General -	Richard Gething
Saturday Morning	9.00 am - 1.00 pm on market days or by private arrangement on other Saturdays.		

.....

Berwick Woodworkers wish to thanks **Judith Graley MP** State Member for Narre Warren South, and her staff for their continued support in printing this newsletter for us. 9704 6055.



Berwick Woodworkers also acknowledge with gratitude the generosity of **Ephraim Finch** who has supported the club for many years with donations of top quality timber. Without Ephraim's gifts, the work we do for local underprivileged children would be considerably curtailed.

July monthly meeting, continued from front page.

SHOW & TELL: **Keith Towe** used a very pretty piece of camphor laurel to create the platter below left and Huon pine for the small lidded box. The lid is Indonesian walnut. The small rocking horse is to be the second prize in our raffle this year. The horse is the work of **Pat Mahoney**. The saddle is by **Bob Blaker**. Pat tells me that the horse will take a child up to age 6 or 7.



NOT FOR SHOW & TELL: Sometimes some clever work escapes our attention and unless I am quick with my camera I am unable to show you some of my finds. Below are some items that almost slipped under the radar this month.



At left is a large timer, made by **Bob McArthur**, at the request of a member of the public who came into the club a week or two ago. To give you an idea of its size, the sand-holders are large soft drink bottles. Bob says he has no idea what kind of time it keeps.



The eagles at right are cut out from thin ply and are part of a project being handled by **Bill Bradshaw** and **Brian Crowe** for some residents of Bupa Aged Care in Narre Warren.

The project came about when one of the staff at the facility noticed that one of the elderly residents has no view from the window of his room - only a bare brick wall to look at. The eagles are to become part of the beautification of the wall and some of the residents are taking part in the sanding and painting of the birds. **Ian Chong** has painted one of the birds as an example of how they can be finished.

As a result of a great deal of work by **Dianne Gething**, the club's photographic history record has been updated and categorised. The extensive collection of photographs, which date back to the mid nineteen-nineties have made interesting viewing for some of our newer members and some reminiscing for those longer serving. There was a fair bit of comment, about how things have changed; not the least, the silver that seems to have crept into the hair of many of those appearing in the photos. Pictured are the older albums compiled by past member **Gwen Woof** and **Ken Coleman** on the right, with Dianne's additional files of photos and documents on the left in the photo.



.....

IN CASE YOU'VE FORGOTTEN: Club fees are due by the end of July. Members who have not renewed their membership are not protected by the club's insurance and are not permitted to use the machines.

PRESIDENTS REPORT

Many thanks to all who have assisted during my stay in hospital I am now back and hope to be back at the club shortly.

With the outage of the dust arrester over the last few weeks we are still trying to find the problem, many thanks to all members for their co-operation during this time, special thanks to **Brian Crowe** who is looking after this situation during my absence.

We still have not heard any more on the new shed.

Couple of reminders, firstly parking in the Elm Drive is only to be used by disabled and members with items to be unloaded, secondly the area between the lathes and the exit door must be kept clear at all times.

Len Preece - President.

.....

DUST EXTRACTION UPDATE: The good news, for those of us who have been waiting for the gremlins to be removed from our main dust extractor, is that the machine is working again. It certainly has had many experts mystified with its antics, working for a few minutes every time it was switched on, before overheating and shutting down. The problem has created a great deal of inconvenience because we have been unable to use our thicknesser, planer, router or drum sander. Following some detective work of his own, **Brian Crowe** was convinced that the fault lurked in the switchbox in the workroom. After gaining permission from the supplier Brian opened the offending box to strip it down and found the culprit, a small wood-shaving which had become lodged in the control box fan, preventing it from working. Shaving removed - job done.

Brian is a retired, qualified electrician. I use the word '*retired*' lightly as Brian has used his knowledge to get us out of many a problem with our tools and equipment. Many thanks Brian for rescuing us once again.

NOT JUST WOODWORK: Club members were in for a treat a couple of Mondays ago when Marilyn Griffin decided to spoil us with some of her baking. Marilyn often brings goodies for morning tea and they are well appreciated by the members.

Many thanks for thinking of us Marilyn. On this occasion we also had a cake from a local shop, that Gary brought in for us.



ANOTHER RAFFLE PRIZE:

Peter Angwin has shown us a photo of one of our cricket sets that was used as a raffle prize at a recent charity event that he attended.

WOOD WORKING SHOW, September

2nd to 17th. The club has received some fliers for the Woodworking Show to be held at Warratina Lavender Farm, 105 Quayle Rd, Wandin Yallock.

Proceed are for the local CFA.

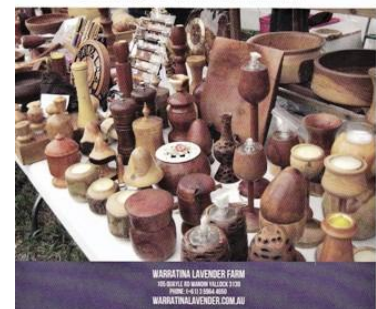


2 - 17 SEPTEMBER 2017

10AM - 4PM

Come along to Warratina Lavender Farm and enjoy wonderful wood turning demonstrations, wood carvings and all kinds of wood items for sale including furniture, salad bowls and many other beautiful pieces! Entry free to the local CFA. All enquiries please call 03 5964 4850

Exhibition entry: \$5 adult - \$4 concession - children under 12 free



OUR WEBSITE. **Jack Croucher** has asked me to remind members that the club's website is up and running.

The site is very easy to find by simply typing Berwick Woodworkers into a search engine or use the web address <http://bdwwc.club/>

There are colourful photographs of our toys, details of the club's history, blogs run by five of our members as well as a connection to Facebook.

If you're interested in running a blog of your own, Jack Croucher will give you the details.

ADVANCE NOTICE. As speaker for our first afternoon General Meeting on September 3rd, **Leanne Petrides**, from Cranbourne Information and Support Service will talk to us about the work of the organisation which is one of the recipients of our toys on Gala Day. I am looking forward to hearing what Leanne has to tell us. Remember, the meeting will be held in the clubroom at 1.00 pm and will be the same format as we have always used, featuring Show & Tell, door prize etc.

Best Wishes: Our thoughts are with those of our members who are out of action due to ill health.

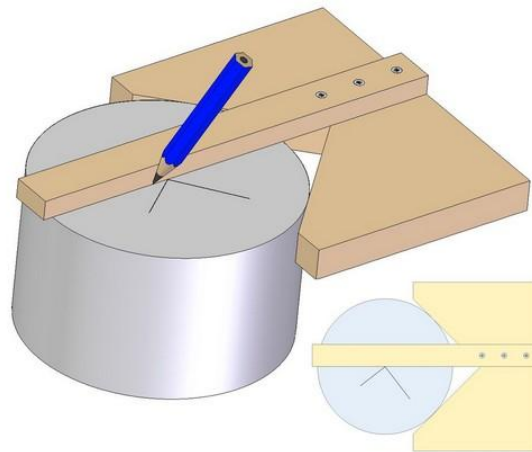
Lois Dack has had a mishap with a barrow load of concrete, leading to a couple of trips to hospital for treatment. Lois says she is on the mend but is not driving at present. **Dave Norman** is over his bout of flu but is still taking things quietly. **Bob Blaker** and his wife Pam are both unwell, also on the sick list is **Ian Chong**.

Due to his continued ill health, **Joe Kleinekoort** will not be renewing his club membership.

To these and all members who are in poor health we send our heart-felt best wishes.

.....

SURFING THE INTERNET: Below are a couple of simple methods of finding the centre of a circle, no matter what size it is.



Berwick District Woodworkers Club.
Minutes Monthly Meeting 6th July, 2017.

Meeting commenced 7.30 pm.

Welcome to Members Vice President Elsie Hoare welcomed 21 members.

Apologies. Len Preece, Bob Blaker, Lois Dack, Ces King, Ian Chong, John McMahon, Gerry Singleton.

Minutes of previous monthly meeting – 6th April, 2017.

- In newsletter.

Motion to accept minutes. Proposed – Ken Whitefield. Seconded – Rick Hoare. Motion Carried.

Business arising from previous meeting.

- Nil.

Correspondence.

- A summary of the correspondence from the latest committee meeting was read.

Motion to accept correspondence. Proposed – Alexander Drysdale. Seconded – Brian Crowe. Motion carried.

President's Report. (Presented by Elsie Hoare.)

- The Workshop has been noticeably cleaner recently.
- The dust extractor is still giving trouble. It may be a filter problem and we are waiting information from Micronair. Do not use the sanders or router table at present. Limited use can be made of the lathes. Disc sanders can be moved outside for the time being.

- A survey of members has been carried out to decide if moving the monthly meeting to an afternoon would assist members to attend. Committee decided to move the September and October monthly meetings to the first Wednesday of the month at 1.00 pm as a trial. We would then go back to evening meetings during Daylight Saving time.

Dates for the meetings will be:

- a) AGM and Monthly Meeting on Thursday 3rd August at 7.30 pm.
 - b) Monthly Meeting on Wednesday 6th September at 1.00 pm.
 - c) Monthly Meeting on Wednesday 4th October at 1.00 pm.
 - d) The Committee will then review the changes.
- We have approached the coordinator at Cranbourne CISS to provide a speaker. We will show three videos tonight.
 - Timber prepared for toy making has been taken despite it being clearly marked. We must be aware and watch to avoid it happening again.
 - AGM will be on 3rd August.

Motion to accept President's report. Proposed – Alexander Drysdale. Seconded – John Damon. Motion carried.

Treasurer's Report.

- As attached.
- Main items read to members.

Motion to accept Treasurers Report. Proposed – John Damon. Seconded – Ken Whitefield. Motion carried.

New Workshop.

- We are waiting for the detailed plans from the City of Casey.

Farmers' Market.

- A sausage sizzle will be held at the Farmers' Market to thank members for their help.

Functions and Demonstrations.

- The club dinner will be held at the Club Officer on the 10th August.

Raffle

- Going well. Most of the prizes are ready.
- Shopping Centre visiting program is almost complete.

Newsletter.

- All going well and thanks to Elsie Hoare.

General Business.

- Elm Drive will be closed this Friday, 7th July.
- Pat Mahoney wants to pass the Club's thanks to Jim Graham for the timber he has provided for the rocking horses and toys. Thank you Jim.
- Paint Back, Hallam has a site for the return of old paint at no charge.
- David Norman is coming along well after a bout of illness.
- Joe Kleinekoort will not be renewing his membership.
- Bob Blaker is undergoing his hospital treatment. Best wishes from us, Bob.
- Four lights are not working in the OCF area. They will be reported.

Show and Tell. By Rick Hoare.

Door prize. Won by Rick Hoare.
Meeting Closed 8.10 pm.

Next Monthly 3rd August at 7.30pm.

Vice President. - Elsie Hoare

Secretary - Richard Gething.

THE WAY WE WERE Wandering through the club's photo albums I found these pictures and thought you might like to see them. At left below is the post and wire enclosure in the 1990s, that became what is now the workshop. I'm told that those posts are still there in the workshop walls. Below right is the clubroom in embryo. Note the growth of the trees in the elm drive. At bottom left, the final product in early 2017.



Clubrooms 2018?
Watch this space.

.....

Brian Crowe gave me this definition of a retiree: *Someone who knows everything and has the rest of his life to tell you about it.*

IT'S SAID THERE'S NOTHING AS QUEER AS FOLKS:

The tourist guide was leading a group through an historic garden when they passed an old-fashioned sundial. A visitor had never seen one before and asked, "What is that?"

"It's a sundial," the guide replied. "It's a device for telling time by the movement of the sun's shadow on the dial."

The visitor looked at the sundial and shook his head. "Whatever will they think of next?" He wondered.

.....

It was late when a man rolled home after the footy, made later by a couple of hours in the pub with his mates. In the kitchen, stuck to the refrigerator door was a note which read, "THIS ISN'T WORKING. I'M GOING HOME TO MOTHER.

Looking puzzled he opened the refrigerator door and extracted a can of beer.

"What's the matter with her," he muttered. It's working OK. The light's on and the beer's cold.

.....

WHY DO THEY... begin the evening news with "Good Evening", then proceed to tell you why it isn't.

.....

That's all for now until next time, but before I go, a Stop Press notice. The Australian Woodworker magazine with the article about Berwick Woodworkers by **Ken Humphries** is on sale in newsagents now.